



# INSTALLATION INSTRUCTIONS

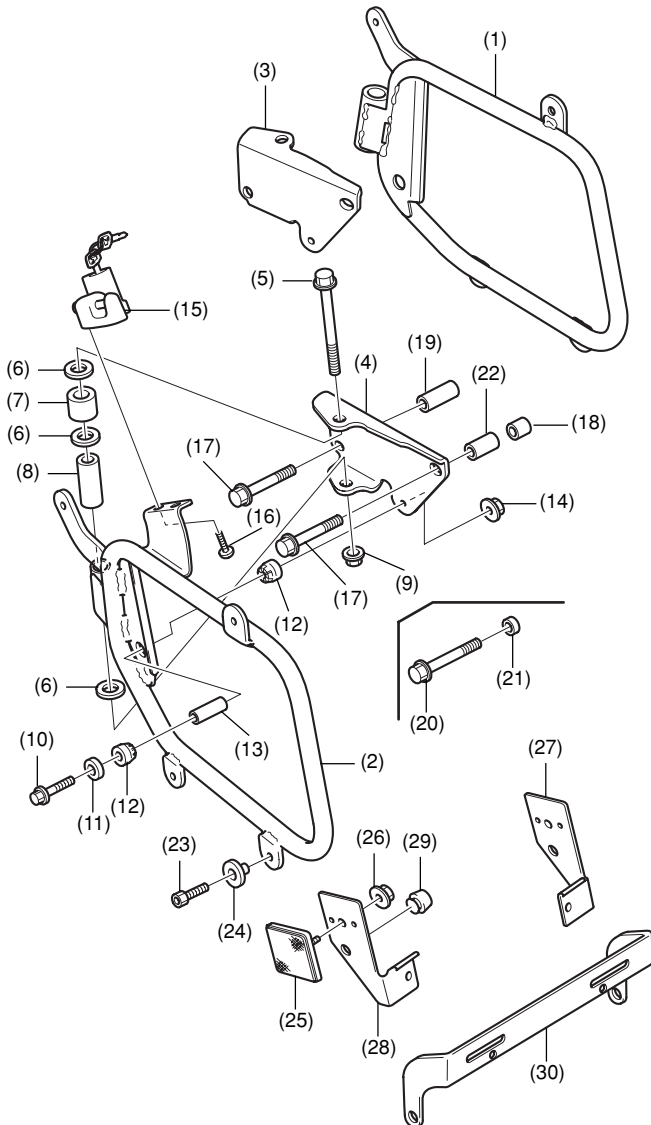
Accessory  
**SADDLEBAG MOUNTING BRACKET**  
 P/N 08L56-MCH-100A

Application  
**VTX1800C/F**

Publications No.  
**MII 10755**  
 Issue Date  
**August 2004**

**Honda Dealer: Please give a copy of these instructions to your customer.**

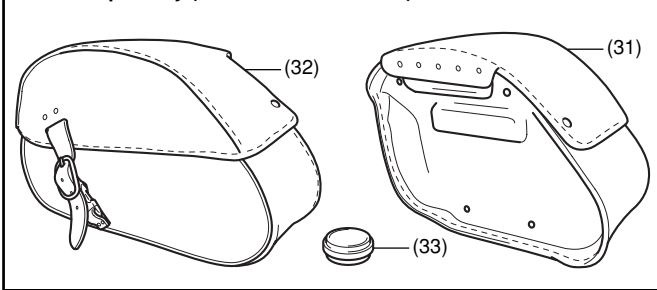
## PARTS LIST



No.	Description	Qty
(1)	Right leather saddlebag stay	1
(2)	Left leather saddlebag stay	1
(3)	Right saddlebag bracket	1
(4)	Left saddlebag bracket	1
(5)	10 mm Flange bolt (long)	2
(6)	Washer (thin)	6
(7)	Rubber	2
(8)	Collar (70 mm)	2
(9)	10 mm Flange nut	2
(10)	6 mm Flange bolt	2
(11)	Washer (thick)	2
(12)	Rubber damper	4
(13)	Collar (32 mm)	2
(14)	6 mm U-nut	2
(15)	Helmet holder	1
(16)	6 mm One-Way bolt	1
(17)	10 mm Flange bolt (short)	4
(18)	Collar (13.5 mm)	2
(19)	Collar (20.5 mm)	2
(20)	10 mm Flange bolt (middle) <b>Used when you are also installing the backrest maunting bracket kit.</b>	4
(21)	Collar (5.5 mm) <b>Used when you are also installing the backrest maunting bracket kit.</b>	2
(22)	Collar (17.5 mm)	2
(23)	6 mm Socket bolt	8
(24)	Flange collar	8
(25)	Reflector	2
(26)	5 mm Flange nut	2
(27)	Right reflector bracket	1
(28)	Left reflector bracket	1
(29)	Grommet	2
(30)	Reflector bracket	1

**SADDLEBAG PLAIN TYPE**

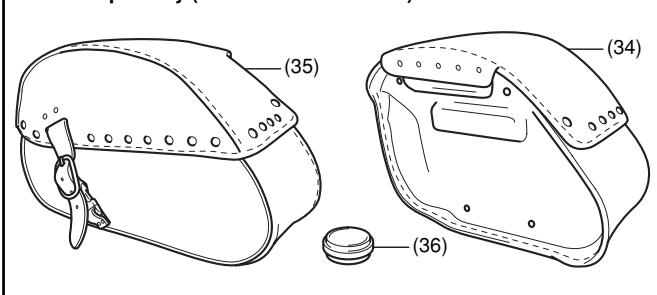
Sold separately (P/N 08L56-MEM-100A)



No.	Description	Qty
(31)	Right saddlebag	1
(32)	Left saddlebag	1
(33)	Wax	1

**SADDLEBAG STUDDED TYPE**

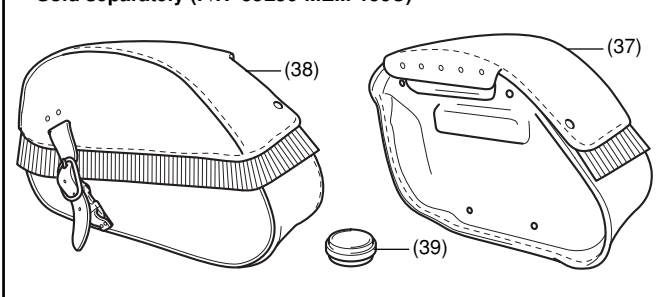
Sold separately (P/N 08L56-MEM-100B)



No.	Description	Qty
(34)	Right saddlebag	1
(35)	Left saddlebag	1
(36)	Wax	1

**SADDLEBAG FRINGED TYPE**

Sold separately (P/N 08L56-MEM-100C)



No.	Description	Qty
(37)	Right saddlebag	1
(38)	Left saddlebag	1
(39)	Wax	1

**TOOLS AND SUPPLIES REQUIRED**

Socket (8, 10 and 14 mm)

Ratchet

Hex wrench (4 and 5 mm)

Box-end wrench (10 and 14 mm)

Lubricant

Grease (Molybdenum)

Torque wrench

**TORQUE CHART**

Tighten all screws, bolts and nuts to their specified torques. Refer to the Service Manual for the tightening torques of removed parts.

Item	N·m	kgf·m	lbf·ft
5 mm Flange nut	5	0.5	3.6
6 mm Socket bolt	10	1.0	7
6 mm Flange bolt and nut	12	1.2	9
10 mm Flange bolt and nut	39	4.0	29

**USE AND CARE INFORMATION**

Cargo weight alone should not exceed:

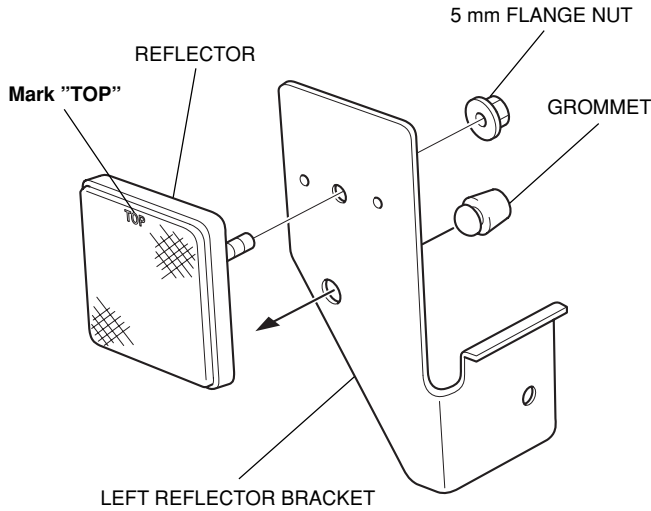
Right leather saddlebag	10 lbs (4.5 kg)
Left leather saddlebag	10 lbs (4.5 kg)

- The leather saddlebags are a high quality leather product that must be cared for. To protect the bags from exposure to weather, clean and condition the leather periodically with high-quality leather care products.
- If the bags become completely wet (water has soaked through the leather), they must be dried at room temperature. Never dry the bags in a dryer, in front of a heater, or near a fireplace. When allowing the bags to dry, stuff them with newspaper so they retain their shape. Allow two to three days for the bags to dry completely. After drying, apply a high-quality leather conditioner.
- Every six months apply some moly grease to the saddlebag stay pivot as shown in step 5.

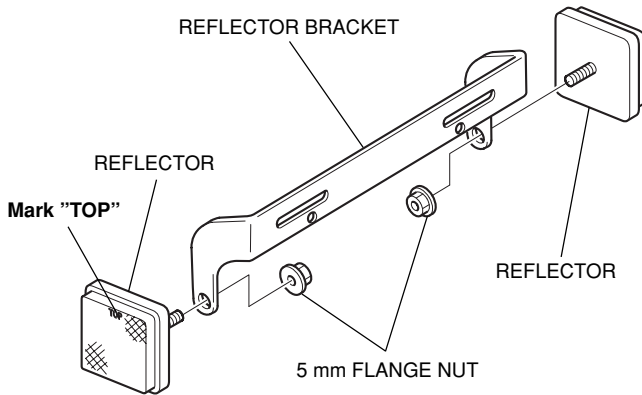
## INSTALLATION

- Assemble the left reflector bracket with the reflector as shown.
  - Assemble the right reflector bracket.

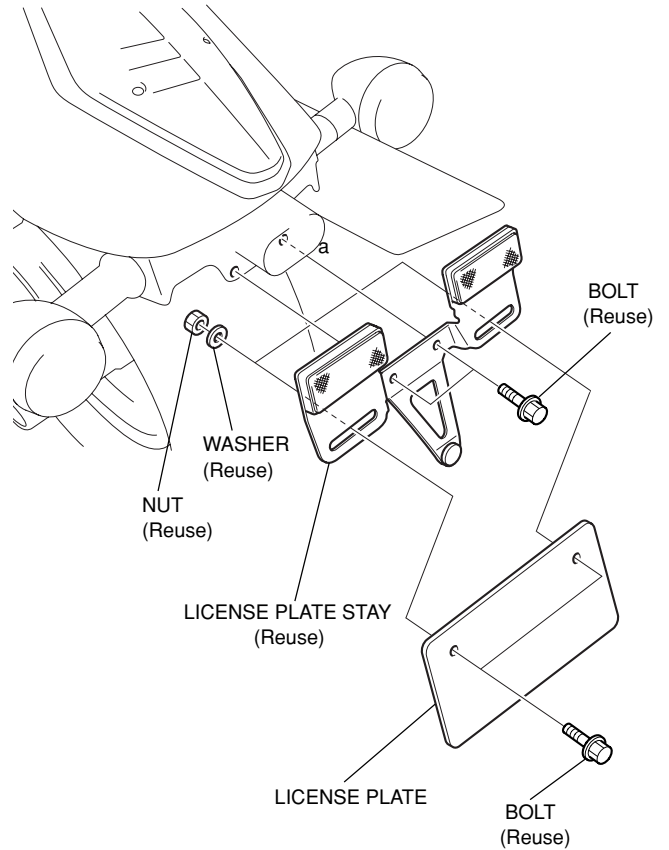
### VTX1800C



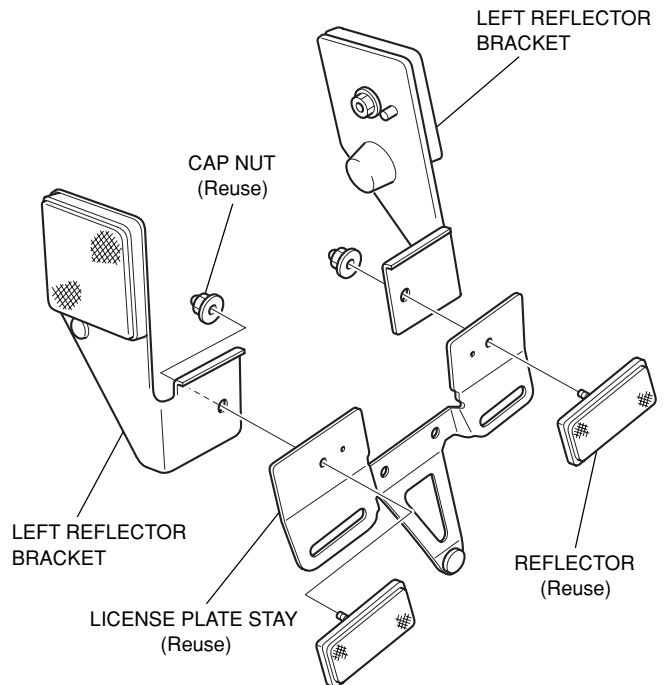
### VTX1800F



- Remove the license plate and license plate stay from the motorcycle as shown. **(Only VT1800C)**

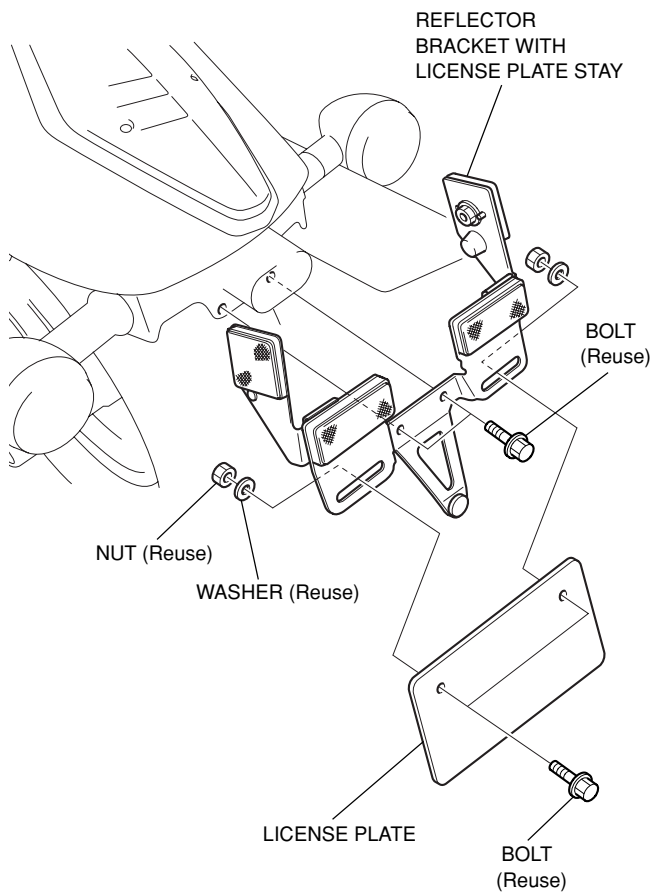


- Assemble the sub assembled left reflector bracket with the license plate stay as shown. **(Only VT1800C)**

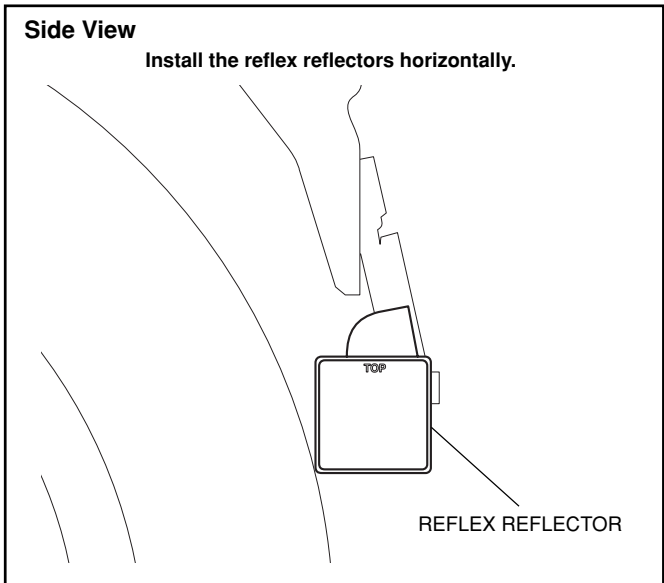
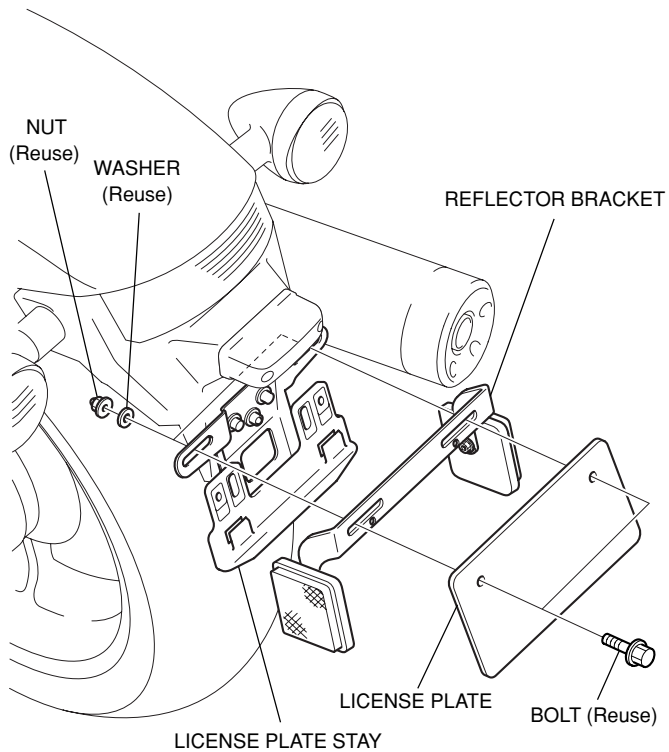


- Assemble the sub assembled reflector bracket with the license plate stay as shown.

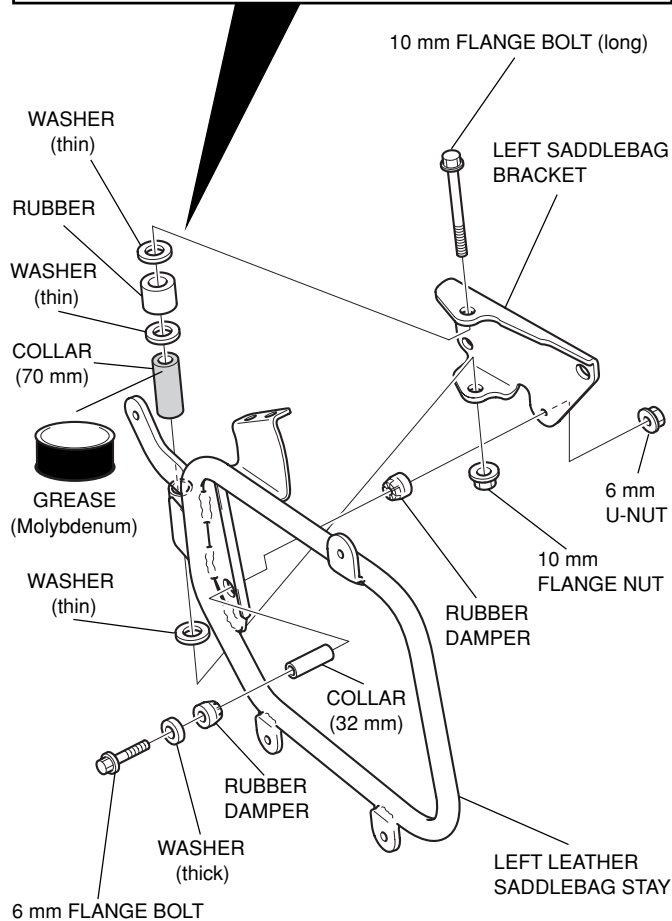
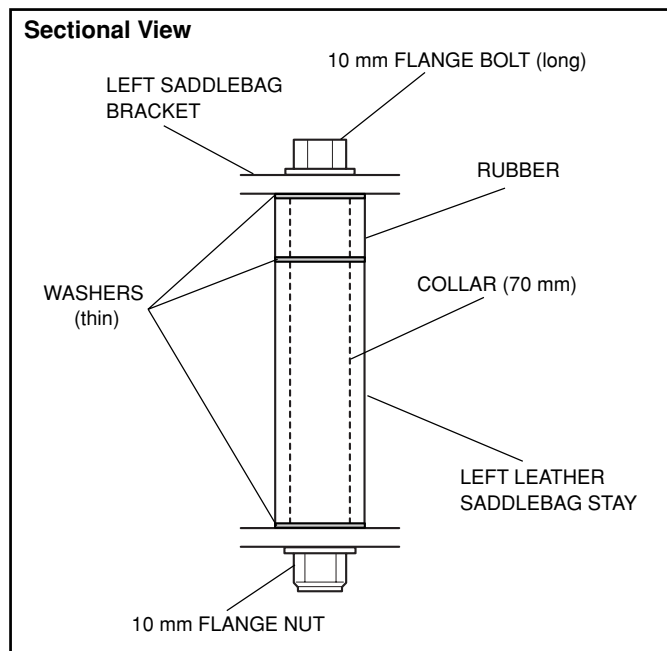
**VTX1800C**



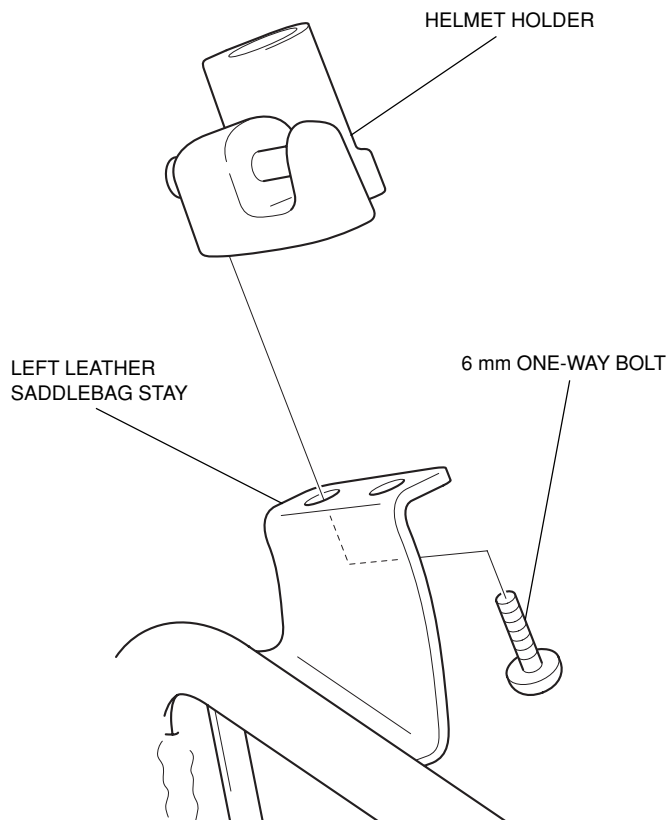
**VTX1800F**



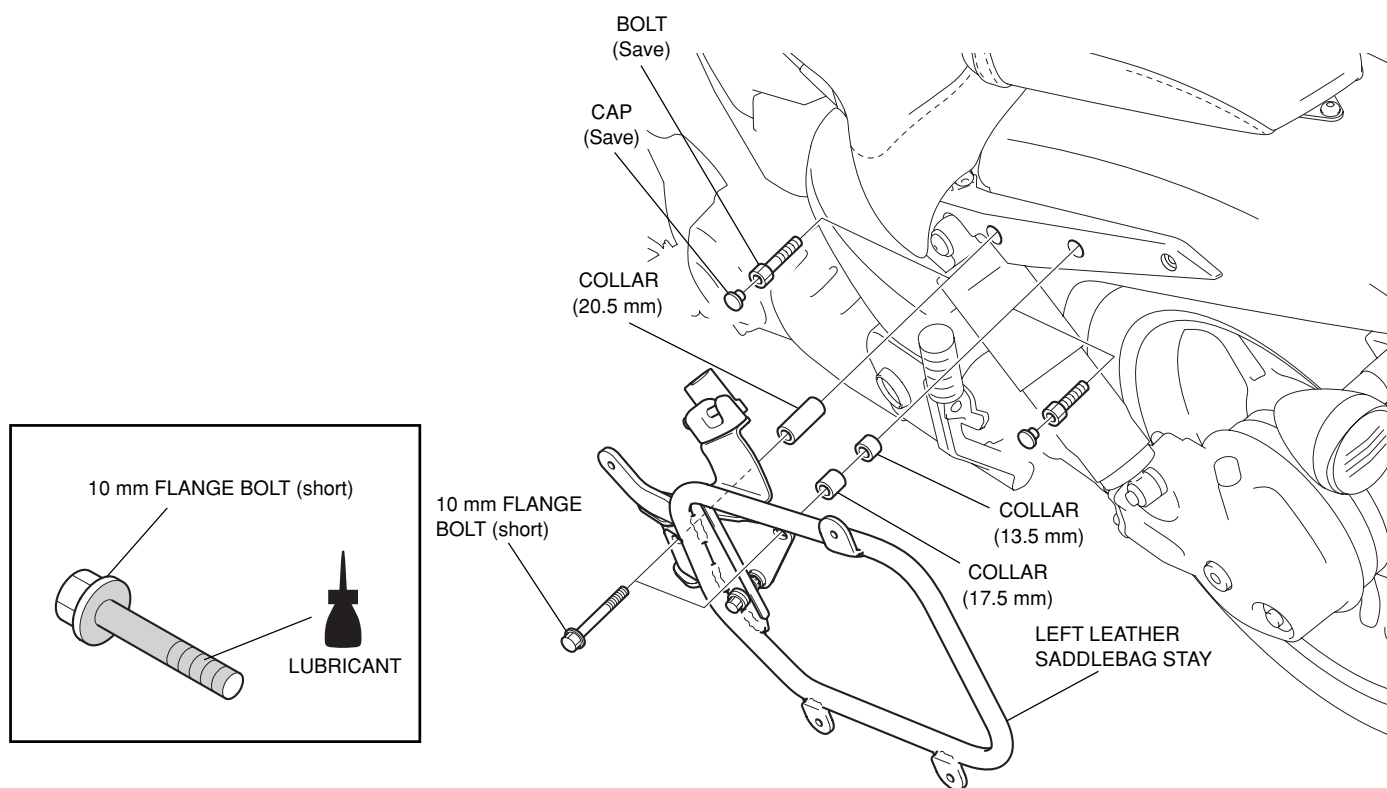
5. Assemble the left leather saddlebag stay as shown.



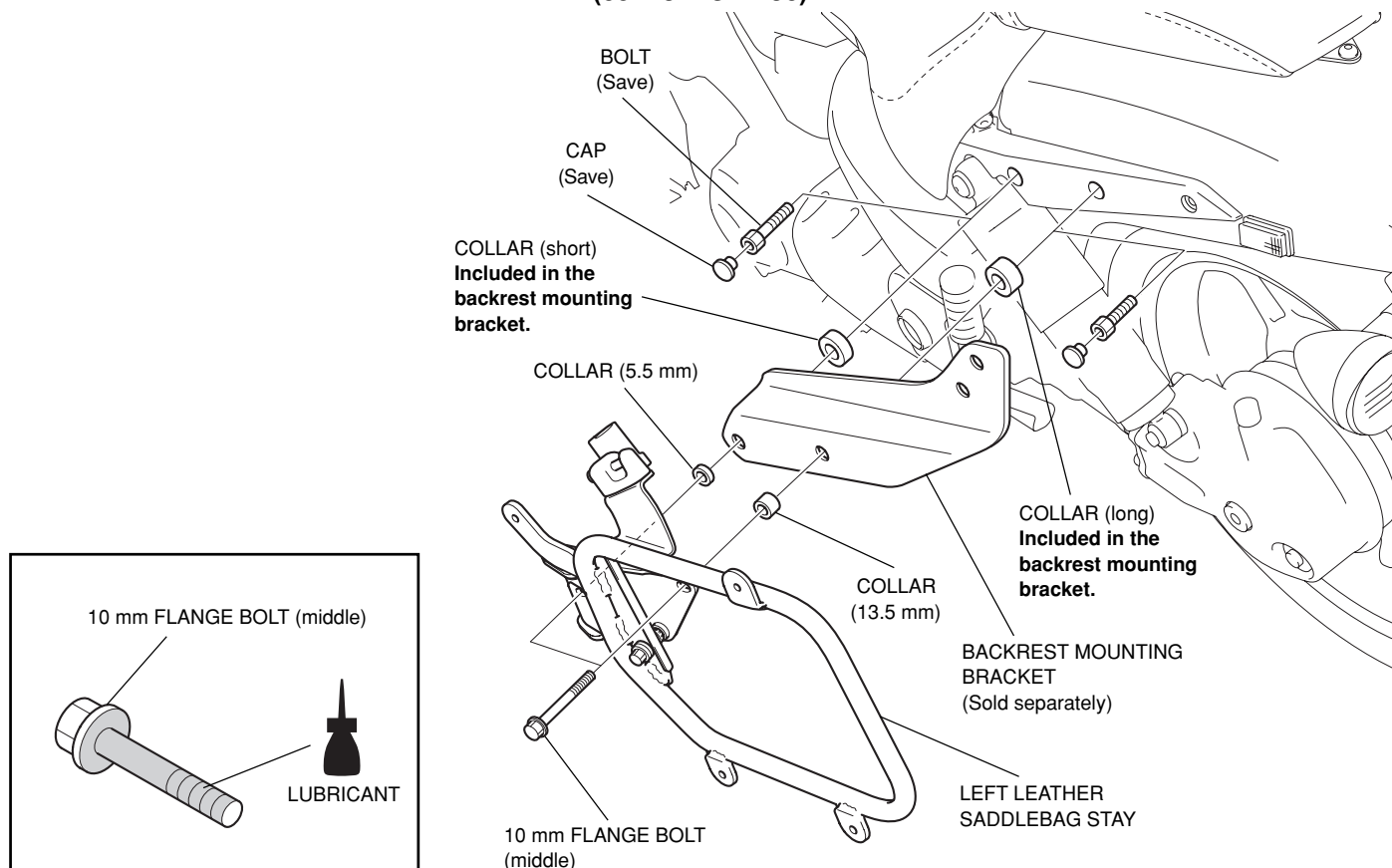
6. Install the helmet holder on the left leather saddlebag stay as shown.



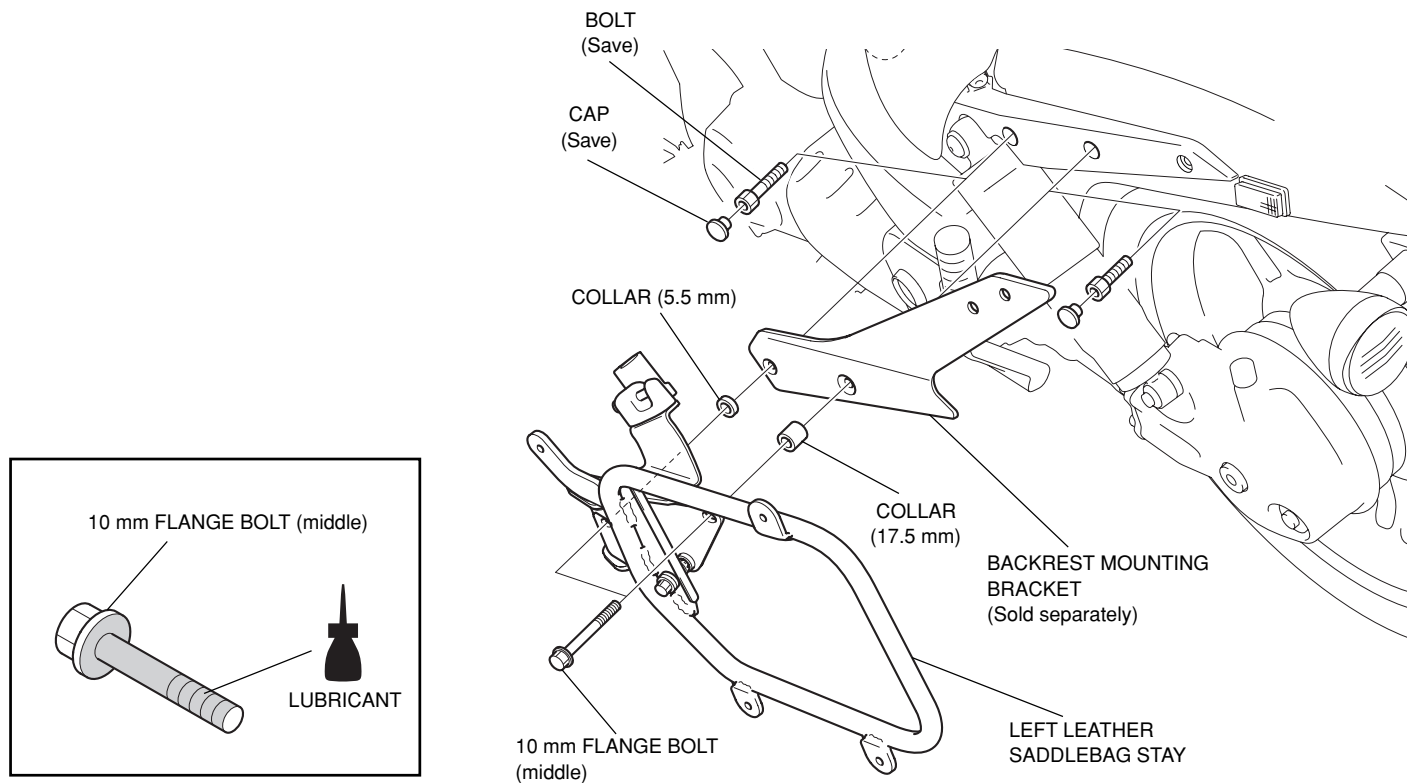
7. Install the assembled left leather saddlebag stay as shown.



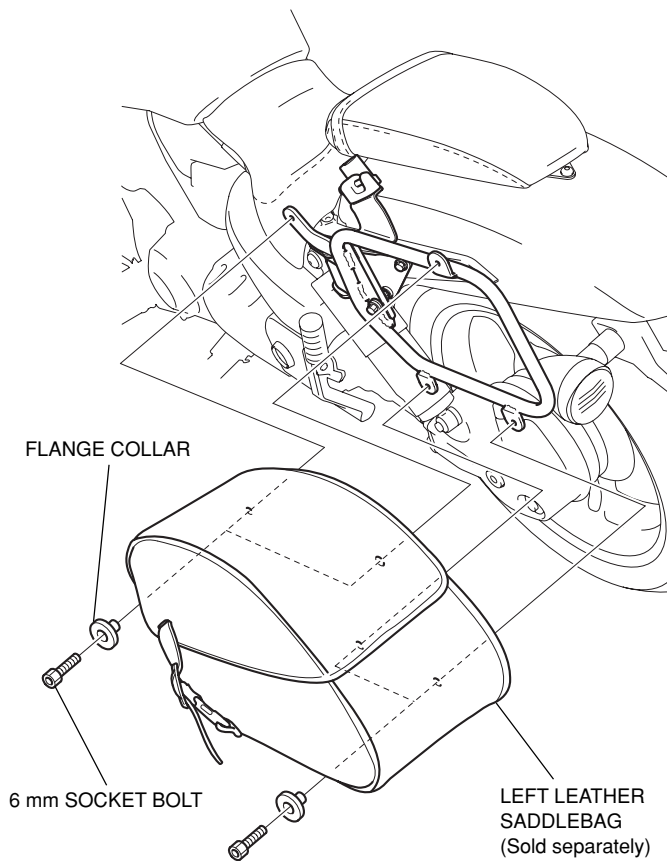
**To Install with the Backrest Mounting Bracket (08F75-MCH-140)  
(08F75-MCH-150)**



**To Install with the Sports Style Backrest Mounting Bracket (08F75-MCH-100A)**



8. Install the left leather saddlebag as shown.



9. Install the right leather saddlebag stay in the same manner.

